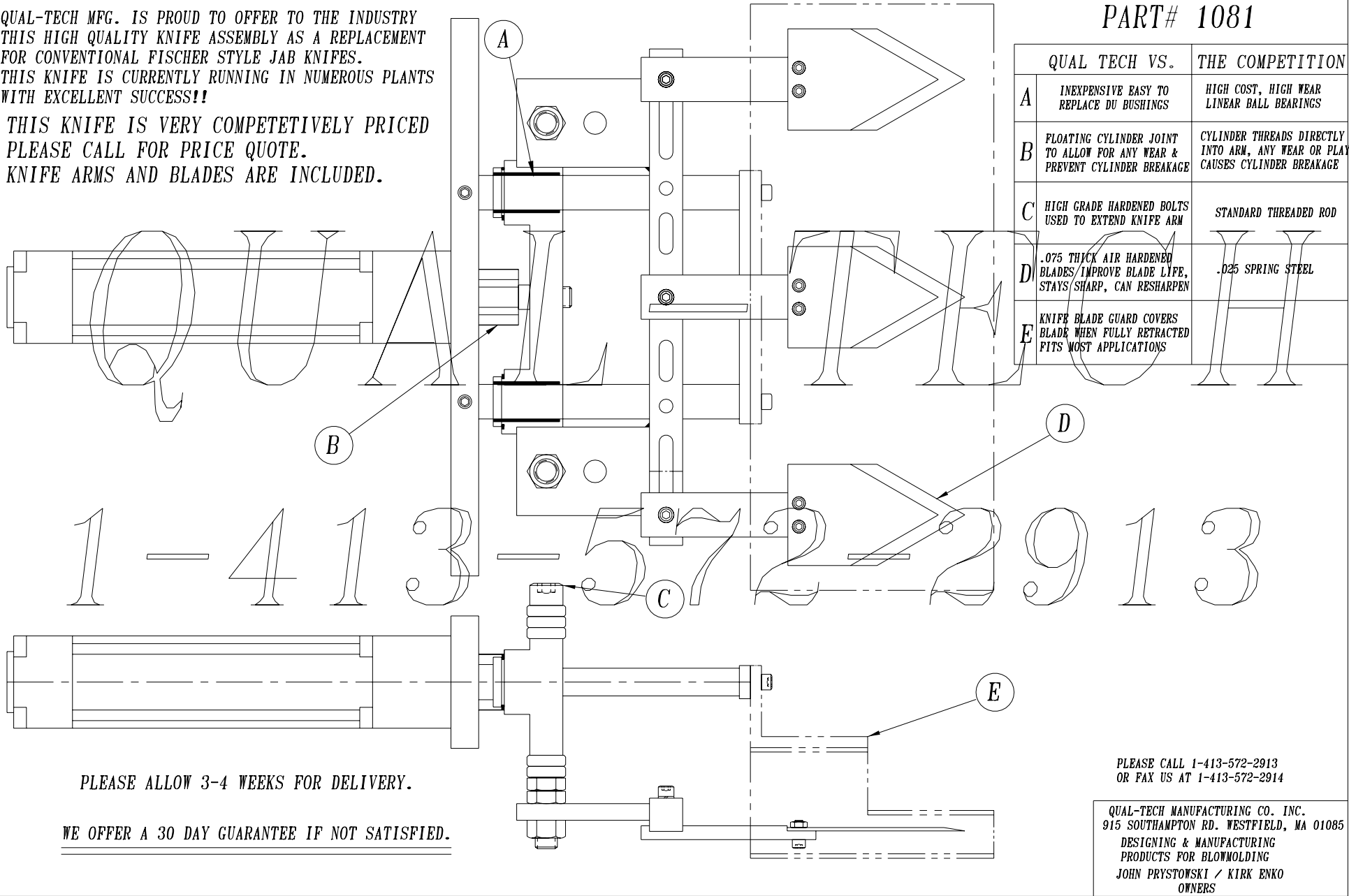


QUAL-TECH MFG. IS PROUD TO OFFER TO THE INDUSTRY THIS HIGH QUALITY KNIFE ASSEMBLY AS A REPLACEMENT FOR CONVENTIONAL FISCHER STYLE JAB KNIVES. THIS KNIFE IS CURRENTLY RUNNING IN NUMEROUS PLANTS WITH EXCELLENT SUCCESS!!

THIS KNIFE IS VERY COMPETETIVELY PRICED PLEASE CALL FOR PRICE QUOTE. KNIFE ARMS AND BLADES ARE INCLUDED.

PART# 1081

| | QUAL TECH VS. | THE COMPETITION |
|---|---|---|
| A | INEXPENSIVE EASY TO REPLACE DU BUSHINGS | HIGH COST, HIGH WEAR LINEAR BALL BEARINGS |
| B | FLOATING CYLINDER JOINT TO ALLOW FOR ANY WEAR & PREVENT CYLINDER BREAKAGE | CYLINDER THREADS DIRECTLY INTO ARM, ANY WEAR OR PLAY CAUSES CYLINDER BREAKAGE |
| C | HIGH GRADE HARDENED BOLTS USED TO EXTEND KNIFE ARM | STANDARD THREADED ROD |
| D | .075 THICK AIR HARDENED BLADES/IMPROVE BLADE LIFE, STAYS SHARP, CAN RESHARPEN | .025 SPRING STEEL |
| E | KNIFE BLADE GUARD COVERS BLADE WHEN FULLY RETRACTED FITS MOST APPLICATIONS | |



PLEASE ALLOW 3-4 WEEKS FOR DELIVERY.

WE OFFER A 30 DAY GUARANTEE IF NOT SATISFIED.

PLEASE CALL 1-413-572-2913
OR FAX US AT 1-413-572-2914

QUAL-TECH MANUFACTURING CO. INC.
915 SOUTHAMPTON RD. WESTFIELD, MA 01085
DESIGNING & MANUFACTURING
PRODUCTS FOR BLOWMOLDING
JOHN PRYSTOWSKI / KIRK ENKO
OWNERS

FISCHER 106